

VGA –SPA4 Instruction Manual

Admeasure :

Good quality for electrocircuit Design .One line input ,many line output .Show it clear-cut .

Design :

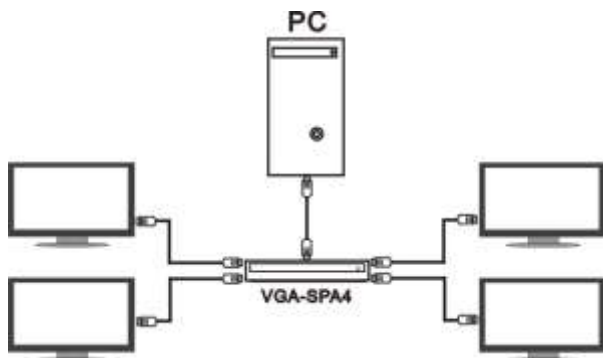
Keep it show clear-cut , the signal output alone by each port , noninterference each other . High-power drive load .Keep it the signal output good quality .

Adhibition :

1. Public Video System (Stockjobber .Time-bargain Market .Finance Securities Business act.)
2. Easy Computer Teach .
3. High-Quality Multimedia display .
4. High-clear LCD Screen .Plasm TV display concil house .
5. Calculator display concil house.
6. Video Meeting .

Technique Parameter :

1. Signal :VGA .SVGA.XGA.QXGA, UXGA and Multisync displays / AUDIO(R L)
2. Input port:VGA 1 Port x High Density DB15 (Female)/AUDIO 1 x Port
3. Output port :VGA 4 port x High Density DB15 (Female) /AUDIO 4 x Port
4. Video input :1Vp-p
5. Video impedance :75 Ω
6. Video gain : 0db \cong DG \cong 1db
7. Maximum Video Resolutions :1920 \times 1440@85HZ
8. VGA Bandwidth:350M/-3db
9. Audio input :2.2Vp-p/20K Ω
10. Audio gain :-3db \cong DG \cong 0db
11. AC area:185V-250V 50Hz
12. Rated power :5W
13. External Dimensions :195 \times 83 \times 45mm
14. Weight:600g
15. Operating Environment Temperature:-10 $^{\circ}$ C-40 $^{\circ}$ C



Warnings :

1. To avoid Electrical Shock, do not open the cabinet .Refer servicing to qualified personal only .
2. Put this machine on Ventilation Place.
3. Do not expose the machine to high temperatures ,high humidity ,or direct sunlight .
4. Before cleanness power off . Don't use chemical wipe .